

AFDD RCBO 6kA 1P+N C CURVE 40A 30mA TYPE A

- Single module AFDD combined RCBO
- Double pole with switched neutral
- 40A, C-curve (MCB)
- 30mA Type A (RCD)
- Fault trip indicator (LED)



General information

| | |
|---|--------------------------------------|
| Standards | BS EN IEC 62606 BS EN IEC 61009-1 |
| Width in number of modular spacing | 1 |
| Design of pole | 1P+N |
| Number of protected poles | 1 |
| Neutral can be switched | Yes |
| Position of neutral terminal | Left |
| Trip unit technology | Thermal-magnetic |
| Tripping characteristic | Type C |
| Rated current (I_n) [A] | 40 |
| Residual current-detection principle | Electronic (voltage dependent) |
| Type of residual current | Type A |
| Residual current protection time delay | General type without time delay |
| Rated residual operating current ($I_{\Delta n}$) [mA] | 30 |
| Breaking capacity | |
| Rated ultimate short-circuit breaking capacity (I_{cn}) [kA] | 6 |
| Rated residual breaking and making capacity ($I_{\Delta m}$) [kA] | 2 |
| Energy limiting class | 3 |
| Barcode (EAN-13) | 5060690139881 |

Technical information

| | |
|--|-------------------|
| Nature of power supply | AC |
| Rated operational voltage (U_e) [V] | 240 (230) |
| Rated frequency (f) [Hz] | 50 |
| Rated insulation voltage (U_i) [V] | 500 |
| Rated impulse withstand voltage (U_{imp}) [kV] | 4 |
| Fault trip indicator | LED |
| Contact position indication | Green/Red windows |
| Endurance | |

Danson Electrical UK Limited.

| | | |
|--------------|----------|-------|
| ● Mechanical | [ops.] | 10000 |
| ● Electrical | [ops.] | 4000 |

Environmental information

| | | |
|--|-----------|--|
| Degree of protection | | |
| ● Housing | | IP40 |
| ● Terminals | | IP20 |
| Pollution degree | | 3 |
| Overvoltage category | | III |
| Altitude (maximum) | [Meter] | Max. 2000 |
| Ambient air temperature for operation | | |
| ● Minimum | [°C] | -5 |
| ● Maximum | [°C] | +40 |
| Ambient air temperature for storage | | |
| ● Minimum | [°C] | -25 |
| ● Maximum | [°C] | +55 |
| Reference ambient air temperature | | [°C] 30 |
| Relative humidity | | 28 cycles with +20 °C/95% and +40 °C/50% |

Package information

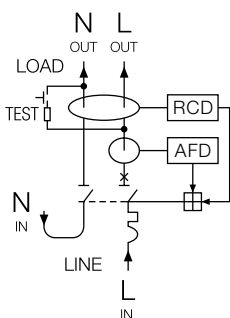
| | | |
|------------------------------------|---------|--------|
| Package level 1 | | |
| Type | | Box |
| Number of units in package level 1 | [pcs] | 1 |
| Weight | [kg] | 190 |
| Length | [mm] | 130 |
| Width | [mm] | 33 |
| Height | [mm] | 93 |
| Package level 2 | | |
| Type | | Carton |
| Number of units in package level 2 | [pcs] | 108 |
| Weight | [kg] | 21.87 |
| Length | [mm] | 625 |
| Width | [mm] | 330 |
| Height | [mm] | 275 |
| Package level 3 | | |
| Type | | Pallet |
| Number of units in package level 3 | [pcs] | 2160 |
| Weight | [kg] | 465 |
| Length | [mm] | 1200 |
| Width | [mm] | 1000 |
| Height | [mm] | 1250 |

Mounting & Connection

| | |
|-------------------|-----|
| Mounting position | Any |
|-------------------|-----|

| | | |
|--|---|------|
| Mounting method | on DIN rail EN 60715 (35 mm) by means of clip | |
| Power supply from | Bottom terminal | |
| Terminal type | | |
| Bottom | | |
| ● Line live terminal | Screw terminals | |
| Top | | |
| ● Load live terminal | Screw terminals | |
| ● Load neutral terminal | Screw terminals | |
| ● Line neutral terminal | Flying neutral lead | |
| - Section | [mm ²] | 4 |
| - Length | [mm] | 600 |
| - Colour | | Blue |
| Function earth cable | No | |
| Colour of function earth cable | - | |
| Recommended screw driver | Pozidriv 2 | |
| Connection capacity | | |
| Line live terminal | | |
| ● Flexible/Stranded | | |
| - Minimum | [mm ²] | 1 |
| - Maximum | [mm ²] | 25 |
| ● Solid | | |
| - Minimum | [mm ²] | 1 |
| - Maximum | [mm ²] | 35 |
| Load live & neutral terminals | | |
| ● Flexible/Stranded/Solid | | |
| - Minimum | [mm ²] | 1 |
| - Maximum | [mm ²] | 10 |
| Wiring stripping length | [mm] | 11.5 |
| Tightening torque | | |
| ● Line live terminal | [N.m] | 2.5 |
| ● Load live & neutral terminals | [N.m] | 1.2 |
| Sealable handle | Yes | |

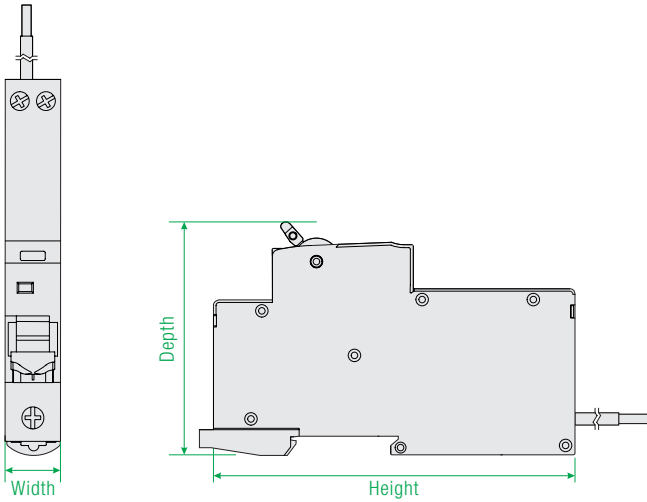
Diagram



E-AFDDY41405

Dimensions

| Height [mm] | Width [mm] | Depth [mm] | Weight [g] |
|------------------|-----------------|-----------------|-----------------|
| 116 | 17.8 | 76 | 180 |



Certificate

