

## RCBO 1M 1P+N 6kA B-curve 20A 30mA Type A

- Single module RCBO
- 1P+N
- 20A, B-curve
- 30mA, Type A
- Integrated functional earth cable



### General information

Standards	BS EN 61009-1 IEC 61009-1 IEC 61009-2-2
Width in number of modular spacing	1
Design of pole	1P+N
Number of protected poles	1
Neutral can be switched	No
Trip unit technology	Thermal-magnetic
Tripping characteristic	B
Rated current $I_n$ [ A ]	20
Residual current-detection principle	Electronic (voltage dependent)
Type of residual current	A type
Residual current protection time delay	General type without time-delay
Rated residual operating current $I_{\Delta n}$ [ mA ]	30
Breaking capacity	
Rated ultimate short-circuit breaking capacity $I_{cn}$ [ kA ]	6
Rated residual breaking and making capacity $I_{\Delta n}$ [ kA ]	3
Barcode (EAN-13)	5060690132011

### Technical information

Nature of power supply	AC
Rated operational voltage $U_e$ [ V ]	230
Rated frequency $f_n$ [ Hz ]	50
Rated insulation voltage $U_i$ [ V ]	500
Rated impulse withstand voltage $U_{imp}$ [ kV ]	4
Contact position indication	Red ON / Green OFF
Endurance	
• Mechanical [ Cycle ]	10000
• Electrical [ Cycle ]	4000

## Mounting & Connection

Mounting position	Any
Mounting on DIN rail acc. to IEC 60715	TH35-15, TH35-7.5
Power supply connection	Bottom
<b>Terminal type</b>	
<b>Bottom</b>	
• Line live terminal	Screw terminals
<b>Top</b>	
• Load live terminal	Screw terminals
• Load neutral terminal	Screw terminals
• Line neutral terminal	Flying neutral lead
- Section [ mm <sup>2</sup> ]	4
- Length [ mm ]	600
- Colour	Blue
Function earth cable	Yes
Colour of function earth cable	White
Recommended screw driver	Pozidriv 2
<b>Connection capacity</b>	
<b>Solid / Stranded</b>	
• Minimum [ mm <sup>2</sup> ]	0.75
• Maximim [ mm <sup>2</sup> ]	35
<b>Finely stranded with end sleeve</b>	
• Minimum [ mm <sup>2</sup> ]	0.75
• Maximim [ mm <sup>2</sup> ]	25
Wiring stripping length [ mm ]	11.5
Tightening torque [ N.m ]	2.5
Sealable handle	Yes

## Environmental information

Degree of protection	IP20, with connected conductors
Pollution degree	2
Overvoltage category	III
Altitude (maximum) [ Meter ]	2000
Ambient air temperature for operation	
• Minimum [ °C ]	-5
• Maximum [ °C ]	+45
Ambient air temperature for storage	
• Minimum [ °C ]	-40
• Maximum [ °C ]	+70
Reference ambient air temperature [ °C ]	30
Relative humidity	max. 95% at 55 °C

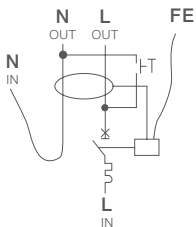
## Package information

Package level 1		
Type		Box
Number of units in Package 1	[ pcs ]	1
Weight	[ kg ]	0.2
Length	[ cm ]	15.7
Width	[ cm ]	3
Height	[ cm ]	8.5
Package level 2		
Type		Canton
Number of units in Package 2	[ pcs ]	120
Weight	[ kg ]	25
Length	[ cm ]	62.5
Width	[ cm ]	33
Height	[ cm ]	27.5
Package level 3		
Type		Pallet
Number of units in Package 3	[ pcs ]	2160
Weight	[ kg ]	465
Length	[ cm ]	120
Width	[ cm ]	100
Height	[ cm ]	125

## Certificate



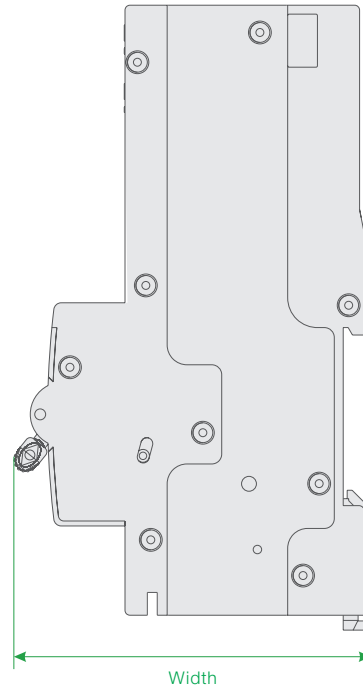
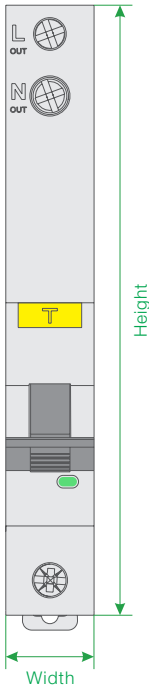
## Diagram



## Dimensions

Height [ mm ]	Width [ mm ]	Depth [ mm ]	Installation depth [ mm ]	Weight [ g ]
126.5	18	77	71	200

# E-DLY2120



## Danson Electrical UK Limited.