

RCBO 1M 1P+N 6kA C-curve 25A 30mA Type A

- Single module RCBO
- 1P+N
- 25A, C-curve
- 30mA, Type A
- Integrated functional earth cable



General information

| | |
|---|---|
| Standards | BS EN 61009-1 IEC 61009-1 IEC 61009-2-2 |
| Width in number of modular spacing | 1 |
| Design of pole | 1P+N |
| Number of protected poles | 1 |
| Neutral can be switched | No |
| Trip unit technology | Thermal-magnetic |
| Tripping characteristic | C |
| Rated current I_n [A] | 25 |
| Residual current-detection principle | Electronic (voltage dependent) |
| Type of residual current | A type |
| Residual current protection time delay | General type without time-delay |
| Rated residual operating current $I_{\Delta n}$ [mA] | 30 |
| Breaking capacity | |
| Rated ultimate short-circuit breaking capacity I_{cn} [kA] | 6 |
| Rated residual breaking and making capacity $I_{\Delta m}$ [kA] | 3 |
| Barcode (EAN-13) | 5060690132103 |

Technical information

| | |
|--|--------------------|
| Nature of power supply | AC |
| Rated operational voltage U_e [V] | 230 |
| Rated frequency f_n [Hz] | 50 |
| Rated insulation voltage U_i [V] | 500 |
| Rated impulse withstand voltage U_{imp} [kV] | 4 |
| Contact position indication | Red ON / Green OFF |
| Endurance | |
| • Mechanical [Cycle] | 10000 |
| • Electrical [Cycle] | 4000 |

Mounting & Connection

| | |
|--|---------------------|
| Mounting position | Any |
| Mounting on DIN rail acc. to IEC 60715 | TH35-15, TH35-7.5 |
| Power supply connection | Bottom |
| Terminal type | |
| Bottom | |
| • Line live terminal | Screw terminals |
| Top | |
| • Load live terminal | Screw terminals |
| • Load neutral terminal | Screw terminals |
| • Line neutral terminal | Flying neutral lead |
| - Section [mm ²] | 4 |
| - Length [mm] | 600 |
| - Colour | Blue |
| Function earth cable | Yes |
| Colour of function earth cable | White |
| Recommended screw driver | Pozidriv 2 |
| Connection capacity | |
| Solid / Stranded | |
| • Minimum [mm ²] | 0.75 |
| • Maximim [mm ²] | 35 |
| Finely stranded with end sleeve | |
| • Minimum [mm ²] | 0.75 |
| • Maximim [mm ²] | 25 |
| Wiring stripping length [mm] | 11.5 |
| Tightening torque [N.m] | 2.5 |
| Sealable handle | Yes |

Environmental information

| | |
|--|---------------------------------|
| Degree of protection | IP20, with connected conductors |
| Pollution degree | 2 |
| Overvoltage category | III |
| Altitude (maximum) [Meter] | 2000 |
| Ambient air temperature for operation | |
| • Minimum [°C] | -5 |
| • Maximum [°C] | +45 |
| Ambient air temperature for storage | |
| • Minimum [°C] | -40 |
| • Maximum [°C] | +70 |
| Reference ambient air temperature [°C] | 30 |
| Relative humidity | max. 95% at 55 °C |

Danson Electrical UK Limited.

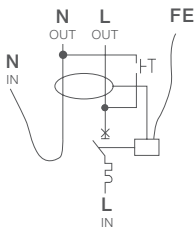
Package information

| Package level 1 | | |
|------------------------------|---------|--------|
| Type | | Box |
| Number of units in Package 1 | [pcs] | 1 |
| Weight | [kg] | 0.2 |
| Length | [cm] | 15.7 |
| Width | [cm] | 3 |
| Height | [cm] | 8.5 |
| Package level 2 | | |
| Type | | Canton |
| Number of units in Package 2 | [pcs] | 120 |
| Weight | [kg] | 25 |
| Length | [cm] | 62.5 |
| Width | [cm] | 33 |
| Height | [cm] | 27.5 |
| Package level 3 | | |
| Type | | Pallet |
| Number of units in Package 3 | [pcs] | 2160 |
| Weight | [kg] | 465 |
| Length | [cm] | 120 |
| Width | [cm] | 100 |
| Height | [cm] | 125 |

Certificate



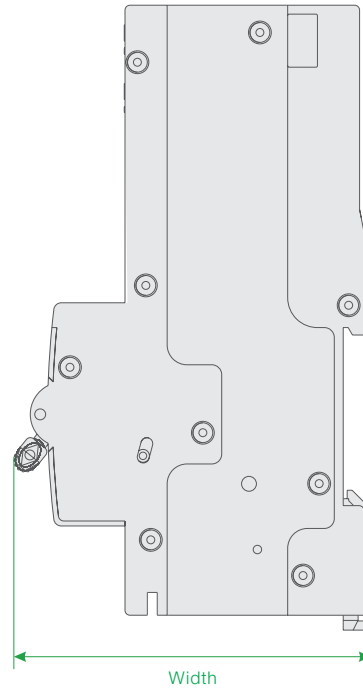
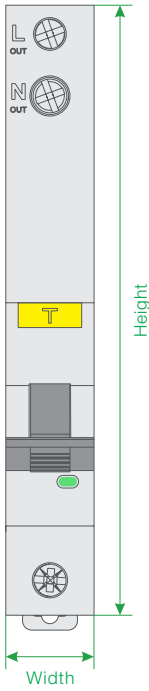
Diagram



Dimensions

| Height [mm] | Width [mm] | Depth [mm] | Installation depth [mm] | Weight [g] |
|------------------|-----------------|-----------------|------------------------------|-----------------|
| 126.5 | 18 | 77 | 71 | 200 |

E-DLY4125



Danson Electrical UK Limited.