

Mini RCBO 1 Module 1P+N 6kA C Curve 6A Type A 30mA

- Single module mini RCBO
- Breaking capacity 6 kA
- 6A C-Curve
- 30mA, Type A
- The same height with switch-disconnector/MCB/RCCB



General information

Standards	BS EN IEC 61009-1 BS EN IEC 61009-2-2
Width in number of modular spacing	1
Design of pole	1P+N
Number of protected poles	1
Neutral can be switched	No
Position of neutral terminal	Right
Trip unit technology	Thermal-magnetic
Tripping characteristic	Type C
Rated current I_n [A]	6
Residual current-detection principle	Electronic (voltage dependent)
Type of residual current	Type A
Residual current protection time delay	General type without time delay
Rated residual operating current ($I_{\Delta n}$) [mA]	30
Breaking capacity	
Rated ultimate short-circuit breaking capacity (I_{cn}) [kA]	6
Rated residual breaking and making capacity ($I_{\Delta m}$) [kA]	2
Energy limiting class	3
Barcode (EAN-13)	5060690138921

Technical information

Nature of power supply	AC
Rated operational voltage (U_e) [V]	240 (230)
Rated frequency (f) [Hz]	50/60
Rated insulation voltage (U_i) [V]	500
Rated impulse withstand voltage (U_{imp}) [kV]	4
Contact position indication	Green/Red windows
Endurance	
• Mechanical [ops.]	20000

The information in this document is subject to change without notice.

v1.1

Danson Electrical UK Limited.

Unit 30/31, Mount Pleasant Industrial Park, Mount Pleasant Road, Northam, Southampton, SO14 0SP, United Kingdom
E-mail: sales@danson-electrical.co.uk Tel: 023 8114 0059 Fax: 023 8178 1930 Web: www.danson-electrical.co.uk

● Electrical	[ops.]	10000
--------------	----------	-------

Environmental information

Degree of protection		
● Housing		IP40
● Terminals		IP20
Pollution degree		3
Overvoltage category		III
Altitude (maximum)	[Meter]	Max. 2000
Ambient air temperature for operation		
● Minimum	[°C]	-25
● Maximum	[°C]	+45
Ambient air temperature for storage		
● Minimum	[°C]	-40
● Maximum	[°C]	+70
Reference ambient air temperature		[°C] 30
Relative humidity		28 cycles with +20 °C/95% and +40 °C/50%

Package information

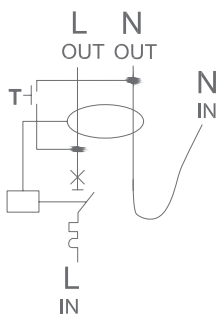
Package level 1		
Type		Box
Number of units in package level 1	[pcs]	1
Weight	[g]	140
Length	[cm]	11.2
Width	[cm]	2.5
Height	[cm]	8.2
Package level 2		
Type		Carton
Number of units in package level 2	[pcs]	120
Weight	[kg]	17.5
Length	[cm]	43
Width	[cm]	24
Height	[cm]	34
Package level 3		
Type		Pallet
Number of units in package level 3	[pcs]	3600
Weight	[kg]	540
Length	[cm]	120
Width	[cm]	100
Height	[cm]	125

Mounting & Connection

Mounting position	Any
Mounting method	on DIN rail EN 60715 (35 mm) by means of clip

Power supply connection	Bottom terminal
Terminal type	
Bottom	
● Line live terminal	Screw terminals
Top	
● Load live terminal	Screw terminals
● Load neutral terminal	Screw terminals
● Line neutral terminal	Flying neutral lead
- Section [mm ²]	4
- Length [mm]	600
- Colour	Blue
Function earth cable	No
Colour of function earth cable	-
Recommended screw driver	Pozidriv 2
Connection capacity	
Line live terminal	
● Flexible/Stranded	
- Minimum [mm ²]	1
- Maximum [mm ²]	25
● Solid	
- Minimum [mm ²]	1
- Maximum [mm ²]	35
Load live & neutral terminals	
● Flexible/Stranded/Solid	
- Minimum [mm ²]	1
- Maximum [mm ²]	10
Wiring stripping length [mm]	11.5
Tightening torque	
● Line live terminal [N.m]	2
● Load live & neutral terminals [N.m]	2.5
Sealable handle	Yes

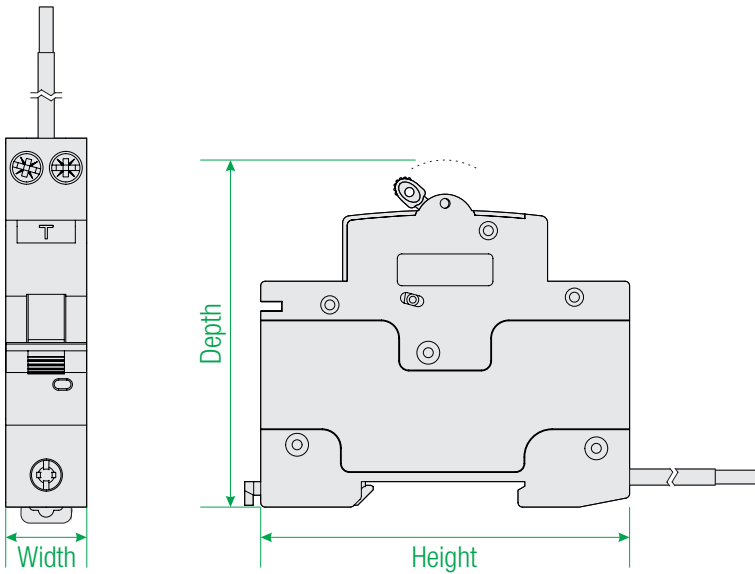
Diagram



E-DLYM4106

Dimensions

Height [mm]	Width [mm]	Depth [mm]	Weight [g]
81	17.8	76.2	126



Certificate

UK
CA

CE

CB