

## RCD D.P. TWO MODULE 100A 300mA 230V A

- 2P RCD, 2 module
- 100A, 300mA
- General type without time-delay
- Type A
- Neutral Right



## General information

Standards	BS EN 61008-1 BS EN 61008-2-1
Width in number of modular spacing	2
Number of poles	2P
Position of neutral terminal	Right
Rated current $I_n$ [ A ]	100
Residual current-detection principle	Electromagnetic (line voltage independent)
Wave form of residual current	Type A
Residual current protection time delay	General type without time-delay
Rated residual operating current $I_{\Delta n}$ [ mA ]	300
Rated conditional short-circuit current $I_{nc}$ [ A ]	6000
Rated conditional residual short-circuit current $I_{\Delta c}$ [ A ]	6000
Rated making and breaking capacity $I_m$ [ A ]	1000
Rated residual breaking and making capacity $I_{\Delta m}$ [ A ]	1000
Suitability for isolation	Yes
Barcode (EAN-13)	5060690131724

## Technical information

Nature of power supply	AC
Rated operational voltage $U_e$ [ V ]	230
Rated frequency $f_n$ [ Hz ]	50
Rated insulation voltage $U_i$ [ V ]	500
Rated impulse withstand voltage $U_{imp}$ [ kV ]	4
Contact position indication	Green/Red windows
Endurance	
• Electrical [ ops. ]	4000
• Mechanical [ ops. ]	10000

## Environmental information

### Danson Electrical UK Limited.

Degree of protection		
• Housing		IP40
• Terminals		IP20
Pollution degree		2
Overvoltage category		III
Altitude (maximum)	[ Meter ]	Max. 2000
Ambient air temperature for operation		
• Minimum	[ °C ]	-25
• Maximum	[ °C ]	+45
Ambient air temperature for storage		
• Minimum	[ °C ]	-40
• Maximum	[ °C ]	+70
Relative humidity		28 cycles with +20 °C/95% and +40 °C/50%

## Package information

Package level 1		
Type		Box
Number of units in package level 1	[ pcs ]	1
Weight	[ kg ]	0.26
Length	[ mm ]	95
Width	[ mm ]	40
Height	[ mm ]	87
Package level 2		
Type		Carton
Number of units in package level 2	[ pcs ]	60
Weight	[ kg ]	16
Length	[ mm ]	440
Width	[ mm ]	210
Height	[ mm ]	285
Package level 3		
Type		Pallet
Number of units in package level 3	[ pcs ]	1800
Weight	[ kg ]	495
Length	[ mm ]	1200
Width	[ mm ]	1000
Height	[ mm ]	1250

## Mounting & Connection

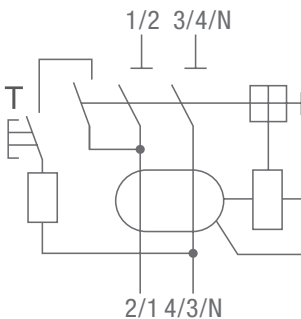
Mounting position		Any
Mounting method		on DIN rail EN 60715 (35 mm) by clip
Power supply connection		Bottom terminals / Top terminals
Terminal type		Screw terminals
Recommended screw driver		Pozidriv 2
Connection capacity		

### Danson Electrical UK Limited.

# E-DR2325

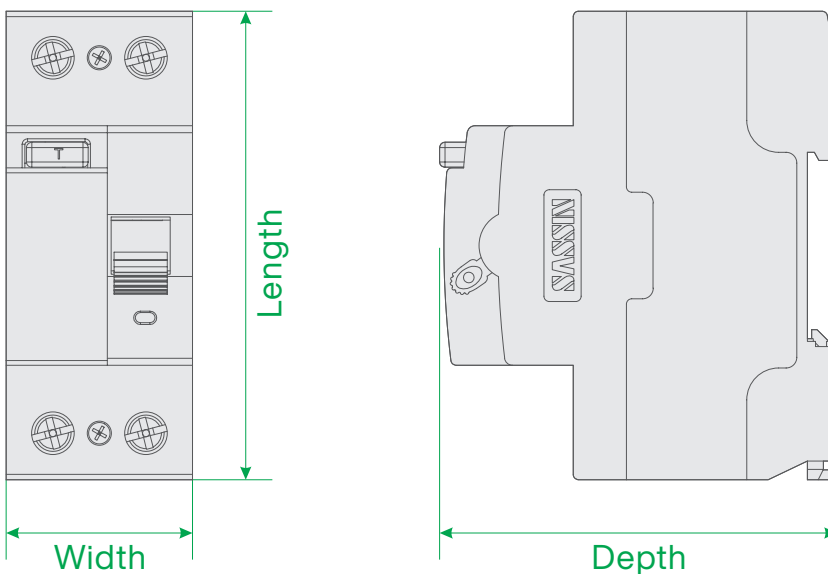
• Flexible stranded with end sleeve		
- Minimum	[ mm <sup>2</sup> ]	1
- Maximum	[ mm <sup>2</sup> ]	25
• Solid and stranded		
- Minimum	[ mm <sup>2</sup> ]	1
- Maximum	[ mm <sup>2</sup> ]	35
Wiring stripping length	[ mm ]	11.5
Tightening torque	[ N.m ]	2.5
Sealable handle		Yes

## Diagram



## Dimensions

Width [ mm ]	Height [ mm ]	Depth [ mm ]	Weight [ g ]
35	88	75	240



## Certificate

---

**UK  
CA**

**CE**

  
TÜVRheinland®

**CB**

---