

IP65 Rotary Isolator

## IP65 Surface Mounted 125A 4 Pole Rotary Isolator A.C.



### Technical information

|                                       |                                  |       |
|---------------------------------------|----------------------------------|-------|
| Barcode (EAN-13)                      | 5060690132875                    |       |
| Standards                             | IEC/EN 60947-3<br>IEC/EN 60947-1 |       |
| Number of poles                       | 4                                |       |
| Rated operational current $I_o$       |                                  |       |
| • AC-21A                              | [ A ]                            | 125   |
| Nature of power supply                | AC                               |       |
| Rated operational voltage $U_o$       | [ V ]                            | 415   |
| Rated frequency $f_n$                 | [ Hz ]                           | 50/60 |
| Rated power of 3 phase motor 50-60 Hz |                                  |       |
| • AC-23A 415 V                        | [ kW ]                           | 37    |
| Insulation class                      | II                               |       |

### Mounting & Connection

|                             |                     |     |
|-----------------------------|---------------------|-----|
| Mounting position           | Wall mounting       |     |
| Mounting method             | Surface mounting    |     |
| Terminal type               | Screw terminal      |     |
| Maximum connection capacity | [ mm <sup>2</sup> ] | 50  |
| Tightening torque           | [ N.m ]             | 2.5 |

### Environmental information

|                                       |                   |      |
|---------------------------------------|-------------------|------|
| Degree of protection                  | IP65              |      |
| Altitude (maximum)                    | [ Meter ]         | 2000 |
| Ambient air temperature for operation |                   |      |
| • Minimum                             | [ °C ]            | -25  |
| • Maximum                             | [ °C ]            | +45  |
| Ambient air temperature for storage   |                   |      |
| • Minimum                             | [ °C ]            | -30  |
| • Maximum                             | [ °C ]            | +60  |
| Relative humidity                     | max. 95% at 55 °C |      |

### Danson Electrical UK Limited.

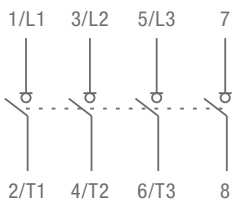
## Package information

| Package 1                    |         |        |
|------------------------------|---------|--------|
| Type                         |         | Box    |
| Number of units in Package 1 | [ PCS ] | 1      |
| Weight                       | [ kg ]  | 1.23   |
| Length                       | [ mm ]  | 248    |
| Width                        | [ mm ]  | 165    |
| Height                       | [ mm ]  | 165    |
| Package 2                    |         |        |
| Type                         |         | Carton |
| Number of units in Package 2 | [ PCS ] | 10     |
| Weight                       | [ kg ]  | 13.2   |
| Length                       | [ mm ]  | 859    |
| Width                        | [ mm ]  | 284    |
| Height                       | [ mm ]  | 373    |
| Package 3                    |         |        |
| Type                         |         | Pallet |
| Number of units in Package 3 | [ PCS ] | 120    |
| Weight                       | [ kg ]  | 168.4  |
| Length                       | [ mm ]  | 1200   |
| Width                        | [ mm ]  | 1000   |
| Height                       | [ mm ]  | 1250   |

## Certificate



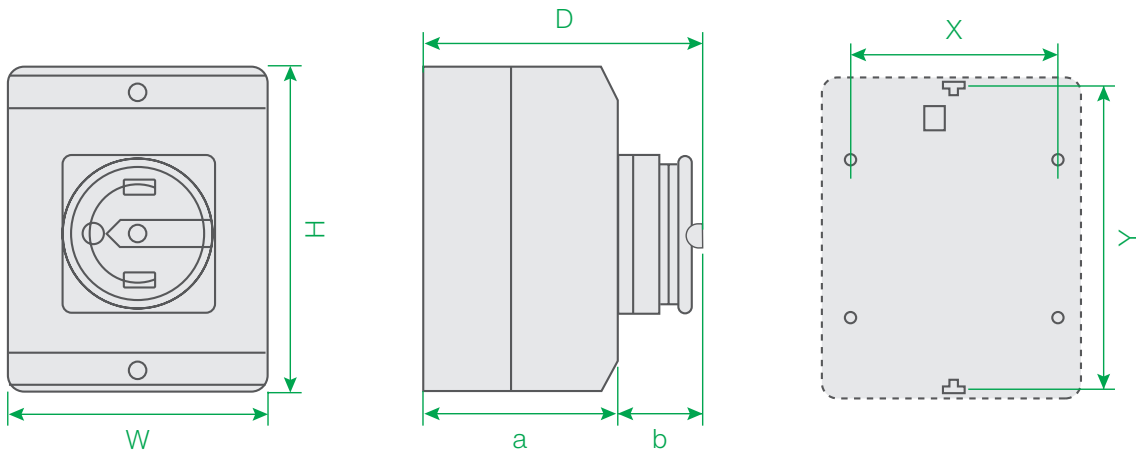
## Diagram



## Dimensions

| Height<br>[ mm ] | Width<br>[ mm ] | Depth<br>[ mm ] | a<br>[ mm ] | b<br>[ mm ] | X<br>[ mm ] | Y<br>[ mm ] | Weight<br>[ kg ] |
|------------------|-----------------|-----------------|-------------|-------------|-------------|-------------|------------------|
| 240              | 160             | 163             | 120         | 43          | 142         | 193         | 1.08             |

# R1254PAC



## Danson Electrical UK Limited.