

IP65 Rotary Isolator

## IP65 Surface Mounted 20A 4 Pole Rotary Isolator A.C.



### Technical information

|                                       |        |                                  |
|---------------------------------------|--------|----------------------------------|
| Barcode (EAN-13)                      |        | 5060690132783                    |
| Standards                             |        | IEC/EN 60947-3<br>IEC/EN 60947-1 |
| Number of poles                       |        | 4                                |
| Rated operational current $I_o$       |        |                                  |
| • AC-21A                              | [ A ]  | 20                               |
| Nature of power supply                |        | AC                               |
| Rated operational voltage $U_o$       | [ V ]  | 415                              |
| Rated frequency $f_n$                 | [ Hz ] | 50/60                            |
| Rated power of 3 phase motor 50-60 Hz |        |                                  |
| • AC-23A 415 V                        | [ kW ] | 4                                |
| Insulation class                      |        | II                               |

### Mounting & Connection

|                             |                     |                  |
|-----------------------------|---------------------|------------------|
| Mounting position           |                     | Wall mounting    |
| Mounting method             |                     | Surface mounting |
| Terminal type               |                     | Screw terminal   |
| Maximum connection capacity | [ mm <sup>2</sup> ] | 10               |
| Tightening torque           | [ N.m ]             | 0.8              |

### Environmental information

|                                       |           |                   |
|---------------------------------------|-----------|-------------------|
| Degree of protection                  |           | IP65              |
| Altitude (maximum)                    | [ Meter ] | 2000              |
| Ambient air temperature for operation |           |                   |
| • Minimum                             | [ °C ]    | -25               |
| • Maximum                             | [ °C ]    | +45               |
| Ambient air temperature for storage   |           |                   |
| • Minimum                             | [ °C ]    | -30               |
| • Maximum                             | [ °C ]    | +60               |
| Relative humidity                     |           | max. 95% at 55 °C |

#### Danson Electrical UK Limited.

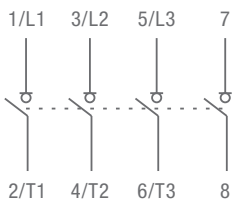
## Package information

| Package 1                    |         |        |
|------------------------------|---------|--------|
| Type                         |         | Box    |
| Number of units in Package 1 | [ PCS ] | 1      |
| Weight                       | [ kg ]  | 0.33   |
| Length                       | [ mm ]  | 107    |
| Width                        | [ mm ]  | 86     |
| Height                       | [ mm ]  | 110    |
| Package 2                    |         |        |
| Type                         |         | Carton |
| Number of units in Package 2 | [ PCS ] | 40     |
| Weight                       | [ kg ]  | 13.3   |
| Length                       | [ mm ]  | 464    |
| Width                        | [ mm ]  | 244    |
| Height                       | [ mm ]  | 488    |
| Package 3                    |         |        |
| Type                         |         | Pallet |
| Number of units in Package 3 | [ PCS ] | 800    |
| Weight                       | [ kg ]  | 276    |
| Length                       | [ mm ]  | 1200   |
| Width                        | [ mm ]  | 1000   |
| Height                       | [ mm ]  | 1250   |

## Certificate



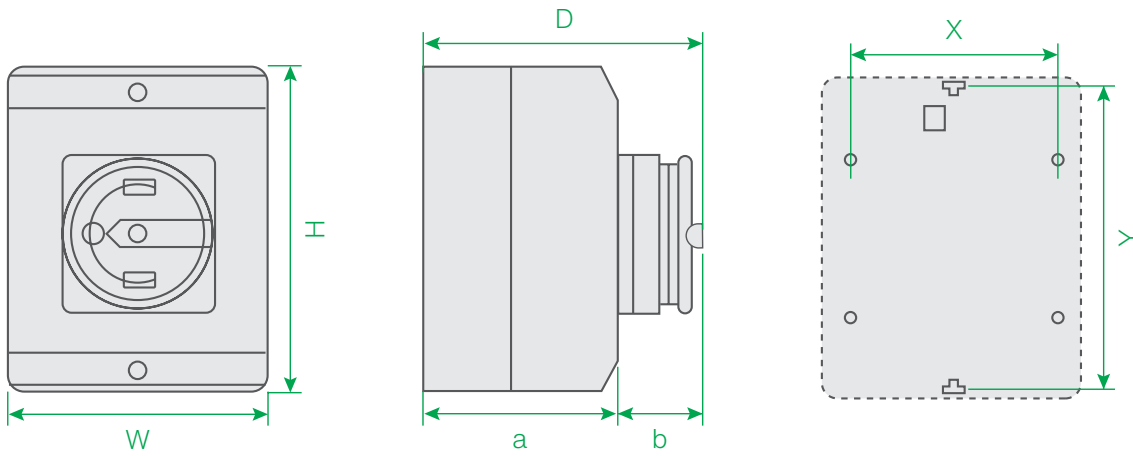
## Diagram



## Dimensions

| Height<br>[ mm ] | Width<br>[ mm ] | Depth<br>[ mm ] | a<br>[ mm ] | b<br>[ mm ] | X<br>[ mm ] | Y<br>[ mm ] | Weight<br>[ kg ] |
|------------------|-----------------|-----------------|-------------|-------------|-------------|-------------|------------------|
| 100              | 80              | 102             | 67          | 35          | 60          | 92          | 0.28             |

# R204PAC



## Danson Electrical UK Limited.