

IP65 Rotary Isolator

IP65 Surface Mounted 40A 4 Pole Rotary Isolator A.C.



Technical information

Barcode (EAN-13)		5060690132820
Standards		IEC/EN 60947-3 IEC/EN 60947-1
Number of poles		4
Rated operational current I_o		
• AC-21A	[A]	40
Nature of power supply		AC
Rated operational voltage U_o	[V]	415
Rated frequency f_n	[Hz]	50/60
Rated power of 3 phase motor 50-60 Hz		
• AC-23A 415 V	[kW]	15
Insulation class		II

Mounting & Connection

Mounting position		Wall mounting
Mounting method		Surface mounting
Terminal type		Screw terminal
Maximum connection capacity	[mm ²]	25
Tightening torque	[N.m]	1.2

Environmental information

Degree of protection		IP65
Altitude (maximum)	[Meter]	2000
Ambient air temperature for operation		
• Minimum	[°C]	-25
• Maximum	[°C]	+45
Ambient air temperature for storage		
• Minimum	[°C]	-30
• Maximum	[°C]	+60
Relative humidity		max. 95% at 55 °C

Danson Electrical UK Limited.

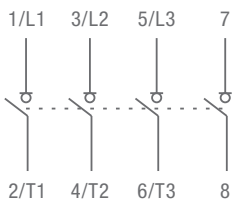
Package information

Package 1		
Type		Box
Number of units in Package 1	[PCS]	1
Weight	[kg]	0.56
Length	[mm]	180
Width	[mm]	122
Height	[mm]	125
Package 2		
Type		Carton
Number of units in Package 2	[PCS]	20
Weight	[kg]	12.2
Length	[mm]	644
Width	[mm]	388
Height	[mm]	293
Package 3		
Type		Pallet
Number of units in Package 3	[PCS]	360
Weight	[kg]	229.6
Length	[mm]	1200
Width	[mm]	1000
Height	[mm]	1250

Certificate



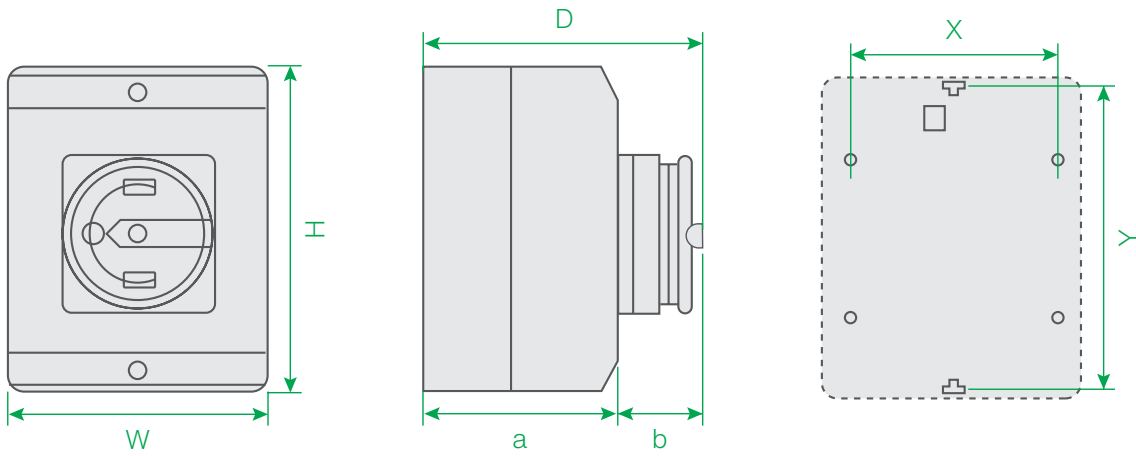
Diagram



Dimensions

Height [mm]	Width [mm]	Depth [mm]	a [mm]	b [mm]	X [mm]	Y [mm]	Weight [kg]
173	115	119	84	35	90	165	0.48

R404PAC



Danson Electrical UK Limited.